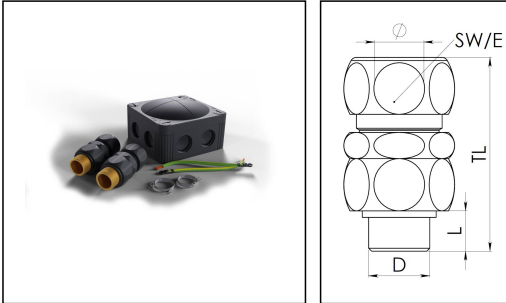


ShieldGLAND Elite M20S

ShieldGLAND Elite M20S COMBI 308, E-Spring, earth fly lead

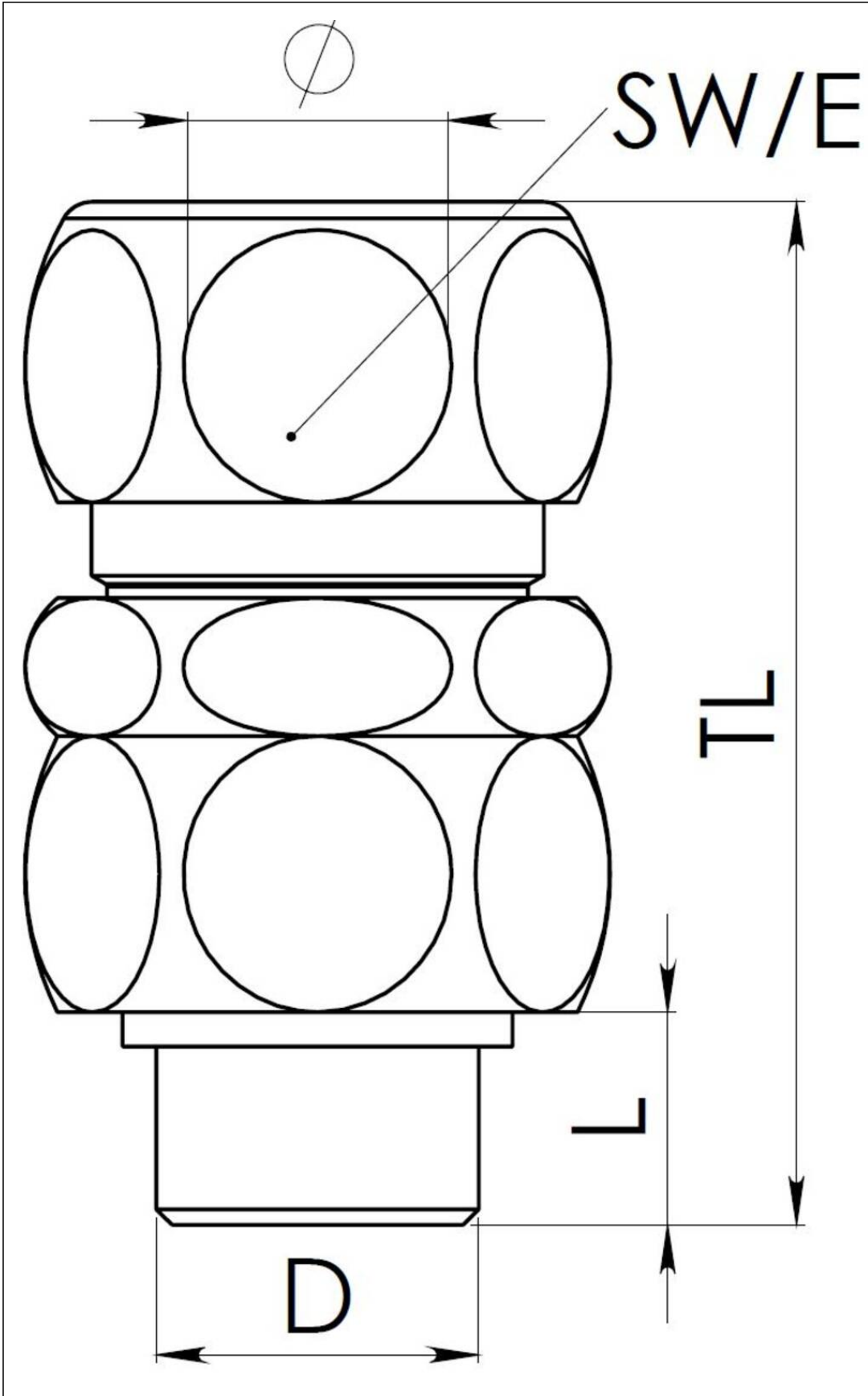


Products may differ in size, colour and appearance to those shown. If you require further information or customisation, please contact us directly.

Material sealing gasket	TPE
Temp. range min	-40 °C
Temp. range max	120 °C
Protection class	IP68 (5 bar 30 min)
Thread type	M
Ø Connection thread D	20
Lead	1,5
Length screw-in thread L	11 mm
Ø cable diameter min	7 mm
Ø cable diameter max	16 mm
Ø cable below cable shield max	7 mm - 11 mm
Key width SW	27 mm
Collar diameter (E)	30 mm
Total length TL	57 mm - 63 mm
Type	ShieldGLAND Elite M20S
WISKA-Order no.	10112398
Packing unit	1

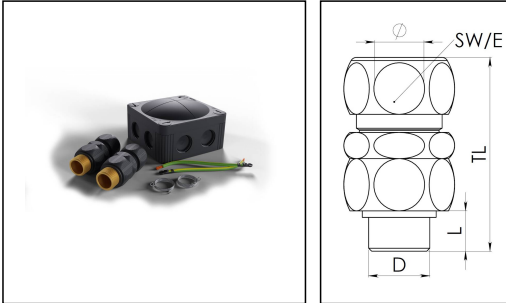
Remarks:

Complete with E-Spring, earth fly lead
and Junction box COMBI 308 black



ShieldGLAND Elite M20S

ShieldGLAND Elite M20S COMBI 308, E-Spring, earth fly lead



Products may differ in size, colour and appearance to those shown. If you require further information or customisation, please contact us directly.

Material sealing gasket	TPE
Temp. range min	-40 °C
Temp. range max	120 °C
Protection class	IP68 (5 bar 30 min)
Thread type	M
Ø Connection thread D	20
Lead	1,5
Length screw-in thread L	11 mm
Ø cable diameter min	7 mm
Ø cable diameter max	16 mm
Ø cable below cable shield max	7 mm - 11 mm
Key width SW	27 mm
Collar diameter (E)	30 mm
Total length TL	57 mm - 63 mm
Type	ShieldGLAND Elite M20S
WISKA-Order no.	10112398
Packing unit	1

Remarks:

Complete with E-Spring, earth fly lead
and Junction box COMBI 308 black

25.02.2026

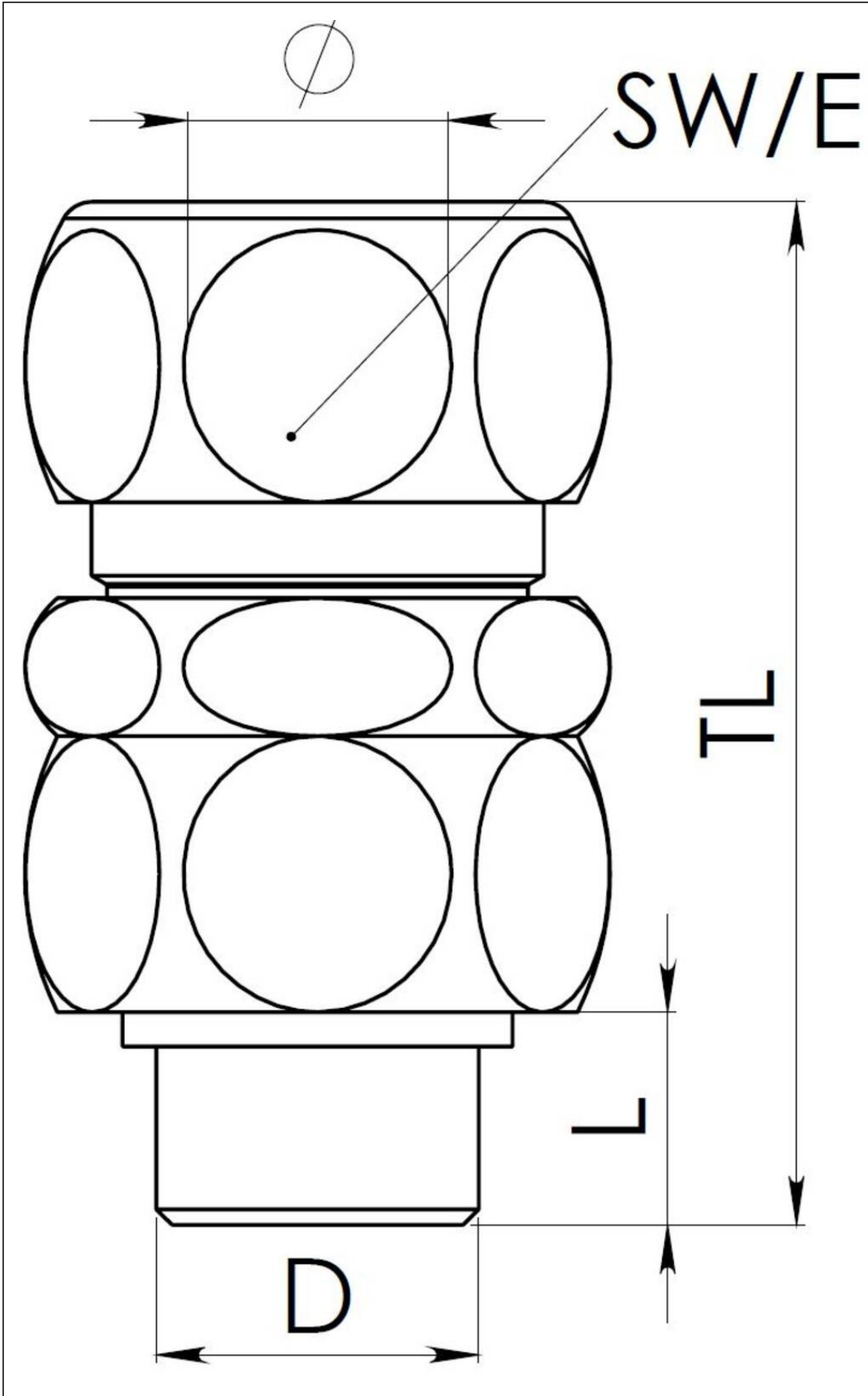
Your Contact:

WISKA UK Ltd.

Unit 7, Hurling Way · St. Columb Major Business Park · TR9 6SX, St. Columb Major, Cornwall · Great Britain

☎ +44-12-08816062 · 📠 +44-12-08816708

info@wiska.co.uk · www.wiska.co.uk



Your Contact:

WISKA UK Ltd.

Unit 7, Hurling Way · St. Columb Major Business Park · TR9 6SX, St. Columb Major, Cornwall · Great Britain

☎ +44-12-08816062 · 📠 +44-12-08816708

info@wiska.co.uk · www.wiska.co.uk